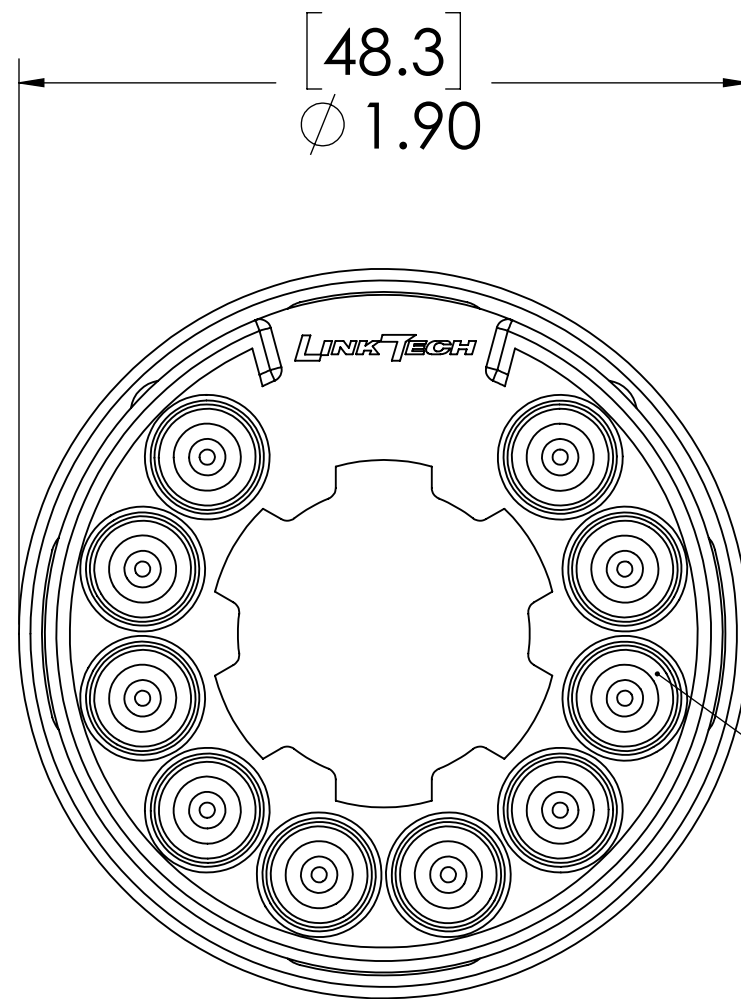
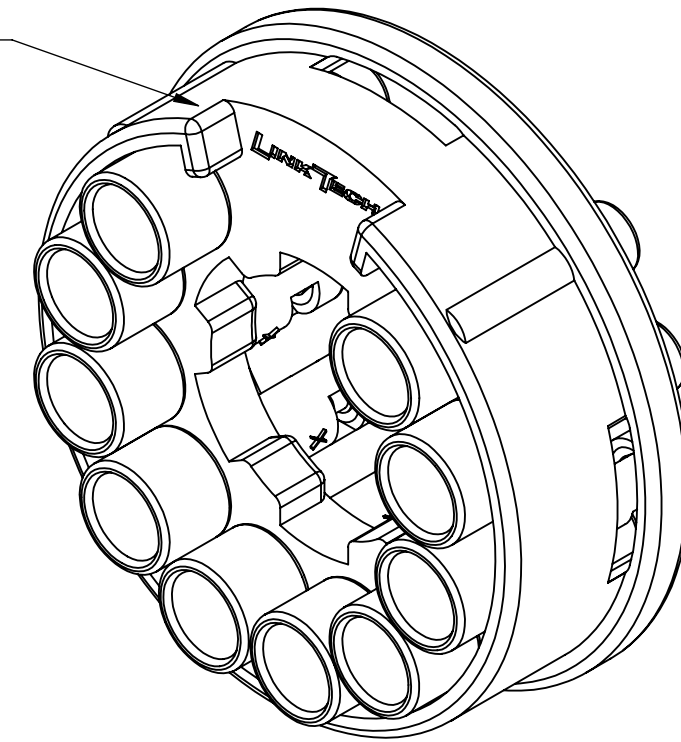
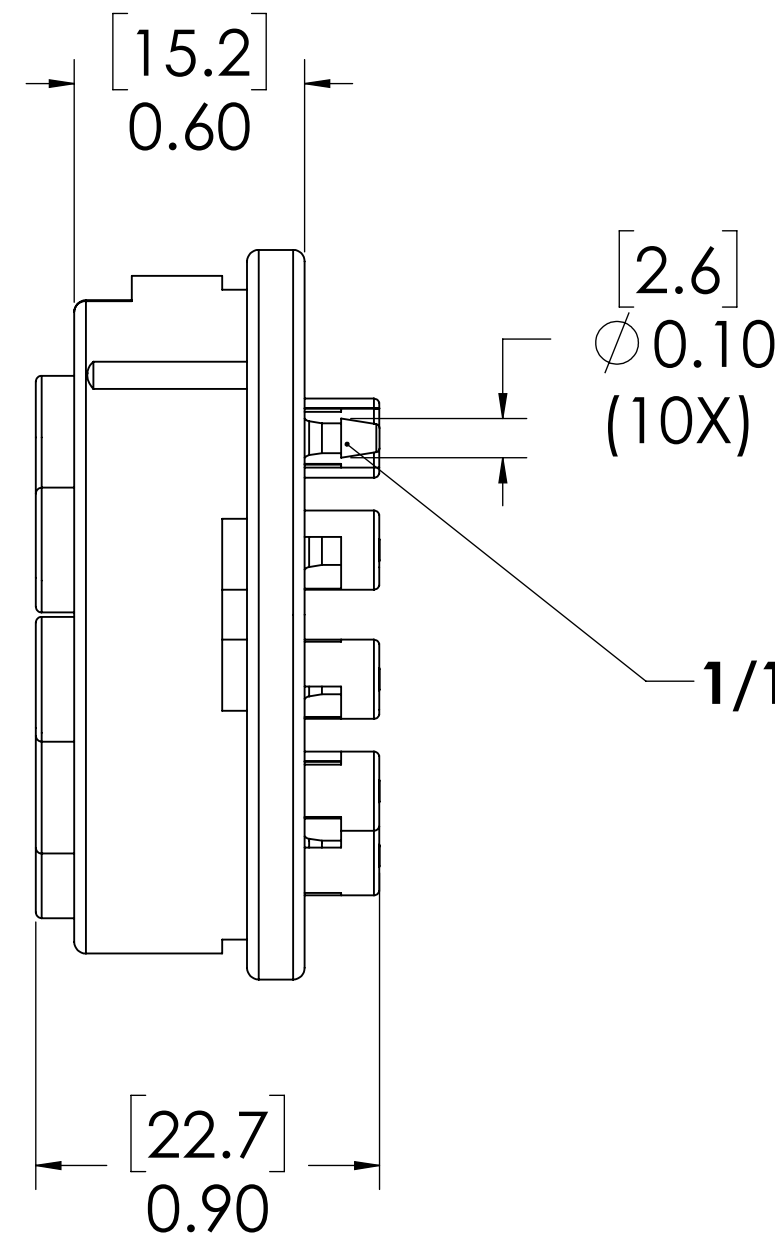


REVISIONS						
SHEET	ZONE	REV.	ECO	DESCRIPTION	DATE	APPROVED
ALL	ALL	A	50311	UPDATE DWG TO CURRENT FORMAT & STANDARDS	1/17/2020	CKE

**HOUSING,
(ACETAL)**



**(10X) SOCKET,
(ACETAL)**




1/16" TUBE ID

NOTES:

1. MATERIAL: ACETAL
2. COLOR: BLACK

FOR REFERENCE ONLY

<small>UNLESS OTHERWISE SPECIFIED: DIMENSIONS ARE IN INCHES TOLERANCES: FRACTIONAL ± 1/32 ANGULAR: MACH ± 0.5 BEND ± 2 ONE PLACE DECIMAL ± 0.1 TWO PLACE DECIMAL ± 0.01 THREE PLACE DECIMAL ± 0.005 TWO PLACE DUAL (mm) [± 0.12]</small>	DRAWN	ER	10/30/17	 PART NO: 100AC-S2-01 DESCRIPTION: LinkTech 100AC Series Straight Female, 1/16" HB, Acetal <small>SIZE DWG. NO. REV</small> C 100AC100130 A <small>SCALE: NTS WEIGHT: SHEET 1 OF 1</small>
	CHECKED	CKE	1/6/20	
	ENG APPR.	HRC	1/17/20	
	MFG APPR.	BDB	1/17/20	
<small>PROPRIETARY AND CONFIDENTIAL</small> <small>THE INFORMATION CONTAINED IN THIS DRAWING IS THE SOLE PROPERTY OF LINKTECH LLC. ANY REPRODUCTION OR DISCLOSURE IN PART OR AS A WHOLE WITHOUT THE WRITTEN PERMISSION OF LINKTECH LLC IS STRICTLY PROHIBITED.</small>	Q.A.	LS	1/17/20	
COMMENTS:				